

Aquno Select M81

Single lever kitchen mixer 250, pull-out spout, 2jet

Surfaces: **Stainless Steel Finish** Article Number: **73836800**



Description

product features

- consists of: single lever kitchen mixer, multifunctional strainer
- ComfortZone 250
- I-spout
- swivel range adjustable in 3 steps 60°, 110° or 150°
- laminar spray, SatinFlow
- change between SatinFlow and pull-out spout at the touch of a button
- MagFit magnetic shower support
- connection dimension: DN15
- maximum flow rate at 3 bar: 7 l/min
- ceramic cartridge
- connection type: G 3/8 connections
- integrated non-return valve
- tap hole with Ø 35 mm required, recommendation: the middle of tap hole drilling should be max. 45 mm from the back side of of the bowl

Technology



Design awards

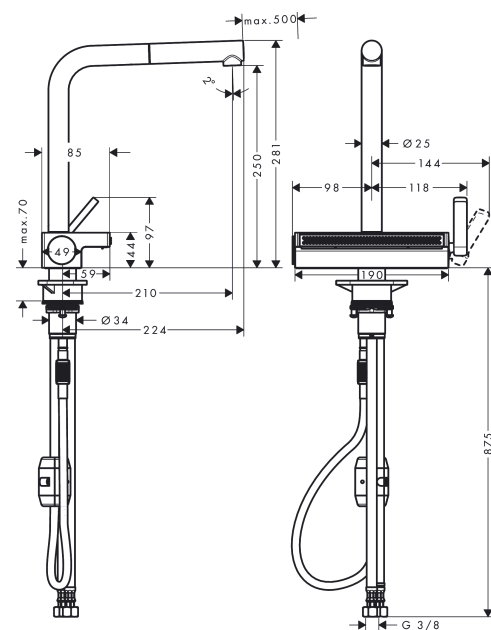


reddot winner 2020
best of the best

Product image



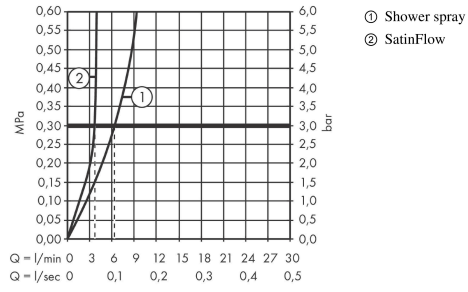
Scale drawing



Aquno Select M81
Single lever kitchen mixer 250, pull-out spout, 2jet
 Surfaces: **Stainless Steel Finish** Article Number: **73836800**

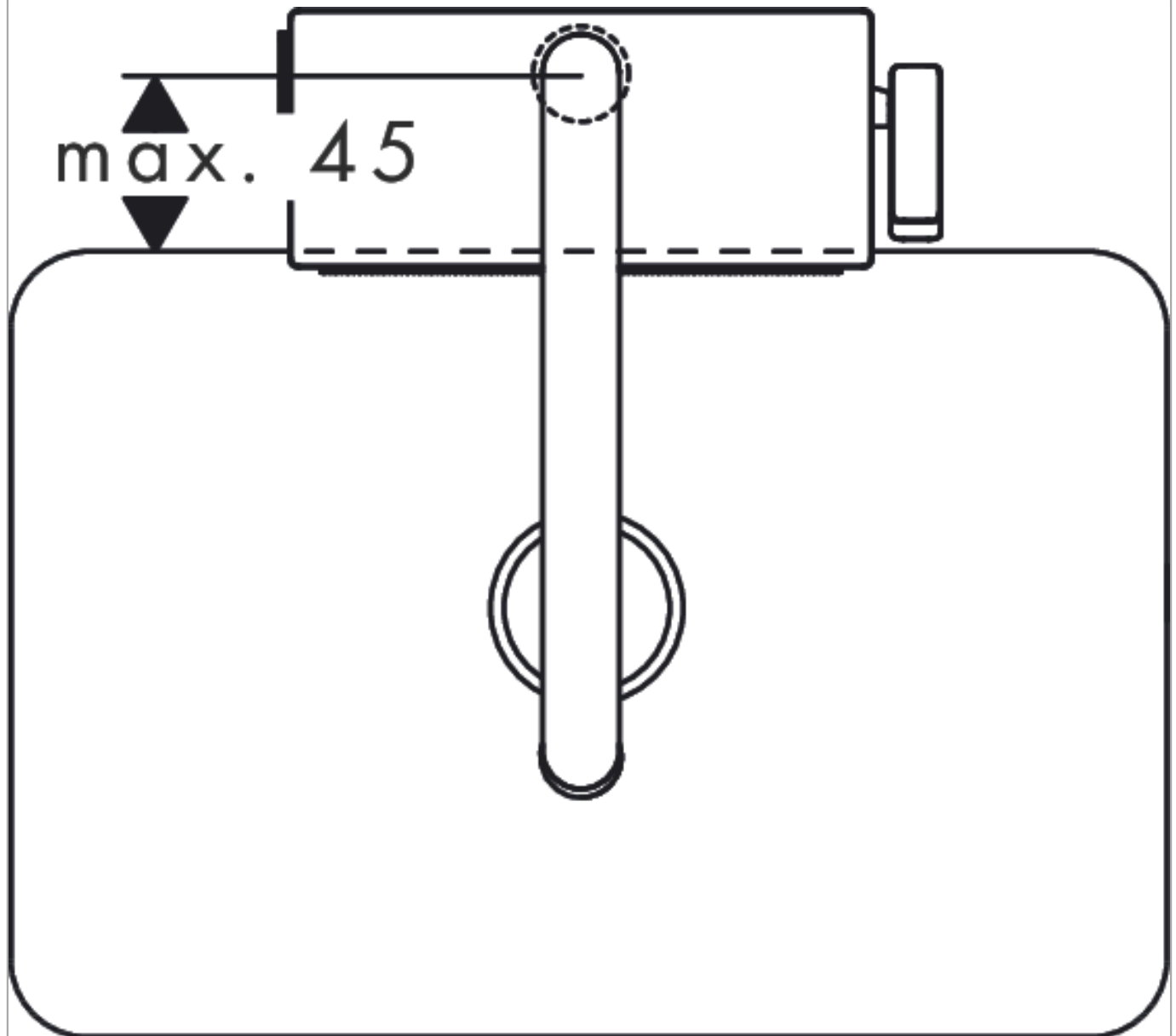


Flowchart



Aquno Select M81**Single lever kitchen mixer 250, pull-out spout, 2jet**Surfaces: **Stainless Steel Finish** Article Number: **73836800**

Installation examples

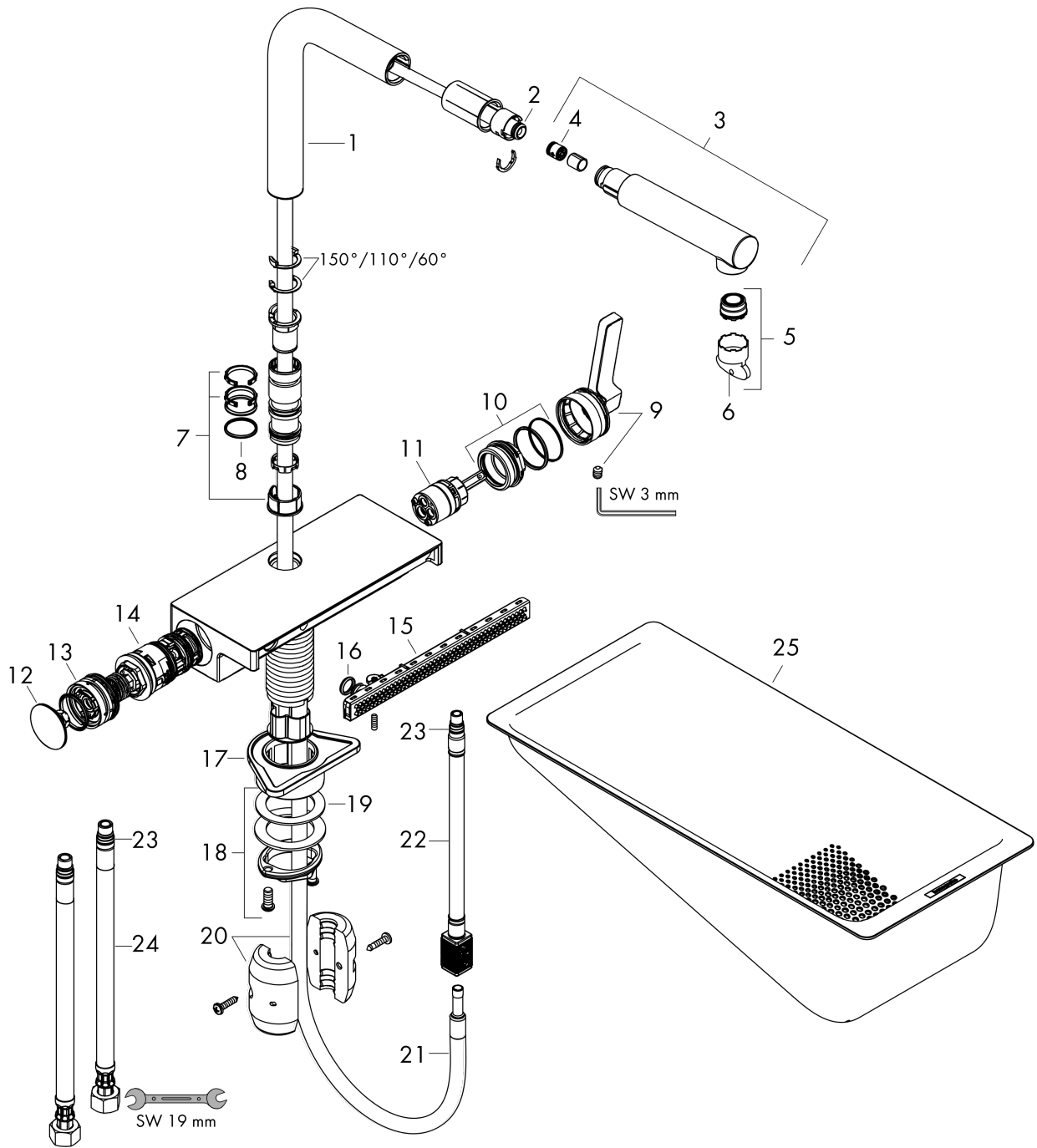


Aquno Select M81
Single lever kitchen mixer 250, pull-out spout, 2jet
 Surfaces: **Stainless Steel Finish** Article Number: **73836800**



Exploded Drawing

Year of production: >12/19



Aquno Select M81

Single lever kitchen mixer 250, pull-out spout, 2jet

Surfaces: **Stainless Steel Finish** Article Number: **73836800**



Spare part list

Year of production: >12/19

Pos.	Description	Article Number	Price	PU
1	spout cpl.	94098800	-	1
2	O-ring 8x2	98112000	-	1
3	handspray	93751800	-	1
4	non return valve DW 10	96456000	-	1
5	spray former	93748000	-	1
6	service tool	93750000	-	1
7	set of lever collars	98365000	-	1
8	O-ring 19x2	98426000	-	1
9	handle	93776800	-	1
10	nut	92926000	-	1
11	cartridge, assy	93183000	-	1
12	cover	93777800	-	1
13	spring with sleeve	93782000	-	1
14	selector assy	93558000	-	1
15	spray head cpl.	93781800	-	1
16	O-ring 10x2	98170000	-	1
17	support	97523000	-	1
18	fixing set (special)	93253000	-	1
19	lever collar	97548000	-	1
20	weight	92500000	-	1
21	hose 1,50 m	93816000	-	1
22	connection hose 400 mm M10x1	92914000	-	1
23	O-ring 8x1,75	97827000	-	1
24	connection hose 900 mm M10x1 G3/8	93780000	-	1
25	-	40963000	-	1